

# QuickTest

## UNIVERSAL TESTING MACHINE

QuickTest is designed as a simple stand-alone testing system with a maximum capacity of 2.5 kN. It can be used to test the tensile and compression of a diverse range of applications from apparel and non-wovens to rubber and non-textile materials.

The QuickTest comes in three different capacity ranges and travel options, with interchangeable force gauges and a variety of jaw attachments making it adept at a variety of testing.



## KEY BENEFITS

### RANGE OF INSTRUMENTS

Users can select from three different models with maximum force levels varying from 0.5kN, 1.0kN and 2.5kN. There is also the option to purchase different force gauges as either 2500, 1000, 500 or 100N.

### VARIETY OF TESTING

There is a wide range of available jaws which makes the instrument perfectly suited for a diverse range of testing.

### CLEAR TEST OUTCOME

The force gauge provides a clear indication of the maximum force applied when removing a garment attachment. It also provides updates on the test status and completion.

### SIMPLE INSTALLATION

QuickTest is delivered preprogrammed and can be used straight out of the box, requiring only a small amount of counter space.

## MARKET SECTORS/ PRODUCT TYPES



BUTTON SECURITY



TEXTILES



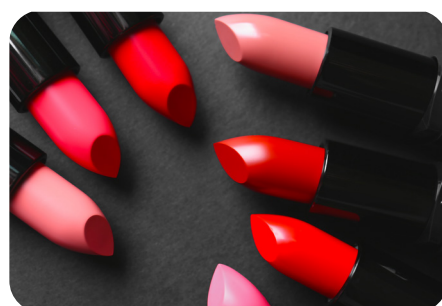
APPLIQUÉ & SEQUINS



POPPERS & FASTENERS



MEDICAL



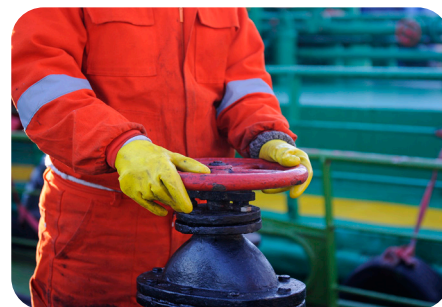
COSMETICS



PLASTIC



AUTOMOTIVE



PPE

## STANDARDS



ISO	CEN/ TR
ISO 13934-142 ISO 2062-2009	CEN/ TR 16792

# QUICKTEST RANGE

The QuickTest range incorporates three different universal testing instruments, shown below. This range offers the perfect solution for routine testing as part of either a manufacturing or laboratory production line.



**QUICKTEST 2.5**  
The QuickTest 2.5 is designed to be used for tension and compression testing up to a maximum 2.5 kN. This helps to make the instrument suitable for a wide range of routine testing.

**QUICKTEST 1.0**  
QuickTest 1.0 has a maximum force capacity of 1kN and when combined with the single column height of 1416 mm makes this instrument well suited for the elongation and testing of moderately elastic materials and products.

**QUICKTEST 0.5**  
This instrument can be used up to a maximum force strength of 500N. The extended column height of 1616 mm makes this instrument best suited for elongation testing of highly elastic materials such as rubber and film.

	Height (mm)	Width (mm)	Depth (mm)	Approx Weight (kg)
QuickTest - 2.5 kN Model	941	290	414	24
QuickTest - 1.0 kN Model	1416	290	414	25
QuickTest - 0.5 kN Model	1616	290	414	26

\*Refer to pages 7 and 8 for more information on the instrument dimensions

### RANGE OF ACCESSORIES

There is an extensive range of interchangeable grips which can be fitted onto the different QuickTest instruments. This helps increase the variety of testing which can be conducted using this product. These include:

- 3-Jaw Popper Pull-off Fixture 500N
- Popper Cam Base 1000N
- Button Pull-off Fixture 500 N
- 25 mm/50 mm Grab Test Textile Fixture 500 N
- Peg Hook 50 N
- Multi-Jaw grip 500 N
- Wedge Grips
- Compression Plates



### INSTANT DISPLAY OF RESULTS

The end test results are clearly displayed on the inbuilt control panel, providing a range of information including the maximum speed, displacement force applied and the load.

Tests can be created controlling two possible end conditions, stopping at either a break or force limit.

The instrument can be set in different languages; English, French, German, Spanish, Portuguese, Dutch, Swedish and Polish.



### QUICKTEST FORCE GAUGE

Force gauge models include 2500N, 1000N, 500N and 100N, all with an accuracy of  $\pm 0.1\%$  of full scale. They include audible pass/fail alarms, a lockable keypad and overload protection.

The selectable units for the QuickTest Force Gauge are N, kN, mN, lbf, ozf, kgf and gf.



### RETURN TO START POSITION

QuickTest users have the option of setting the instrument to return to its start position for repetitive testing regimes. This feature greatly reduces the time needed to setup testing, with operators having the option to run the same test cycle a total of 9999 times before needing to re-input any settings.



---

## EASY PRODUCT INSTALLATION

---

Prior to shipment QuickTest is fully setup and configured which means once unpacked users are able to use the instrument straight from out of the box. Its compact and lightweight design coupled with the small work bench footprint help to make the instrument simple to manoeuvre into the correct position without the need to purchase any specialist lifting or transporting equipment.

---

## YOU MAY ALSO WANT...

---

### TITAN 5kN AND 10kN

The Titan range includes both a 5kN and 10kN capacity version. Both of these tensile testing instruments can accurately assess the strength of a range of materials including apparel, non-wovens, rubber and other non-textile materials.

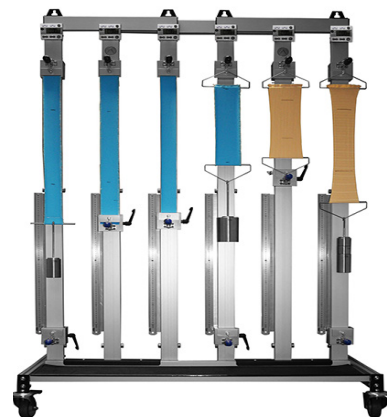
The Titan range is operated using TestWise™ making the instrument simple to use and reducing the training time needed to become competent.



### FLEXIFRAME

FlexiFrame is an accurate and flexible instrument designed to be used for testing the stretch, growth and recovery properties of knitted and woven fabrics.

The instrument is calibrated to ISO 17025 standard, providing operators with confidence in the repeatability and accuracy of their test results.



---

## INSTRUMENT SPECIFICATIONS

---

Over the following pages we have listed the different instrument specifications including the instrument height and crosshead travel, both of which are influential in determining the most suitable instrument to use depending on the material being tested. We have also included dimensional drawings of the various instruments on pages 7 and 8 helping to demonstrate the differing properties.

RATED CAPACITIES			
	0.5 kN MODEL	1 kN MODEL	2.5 kN MODEL
<b>kN</b>	0.5	1.0	2.5
<b>KGF</b>	50	100	250
<b>IBF</b>	110	220	550

DISPLACEMENT			
	0.5 kN MODEL	1.0 kN MODEL	2.5 kN MODEL
<b>Crosshead travel</b>	1186 mm (46.7")	986 mm (38.8")	507 mm (20")
<b>Maximum Headroom</b>	1205 mm (47.4")	1005 mm (39.6")	526 mm (20.7")
<b>Displacement resolution:</b> mm: in:	0.001 0.000025	0.001 0.000025	0.001 0.000025
<b>Positional accuracy</b>	±0.130/300 mm (±0.005/11.81")	±0.130/300 mm (±0.005/11.81")	±0.130/300 mm (±0.005/11.81")

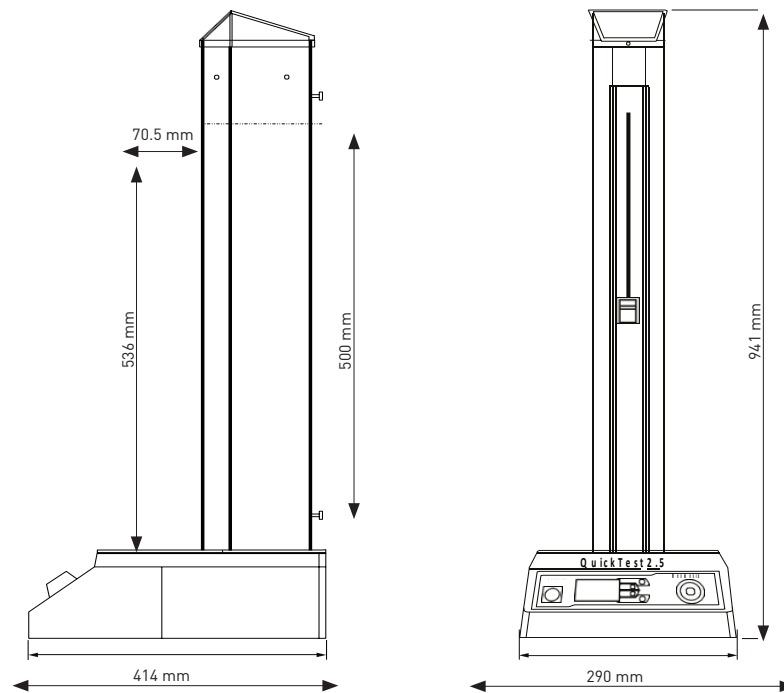
SPEED			
	0.5 kN MODEL	1.0 kN MODEL	2.5 kN MODEL
<b>Speed range:</b> mm/min in/min	0.1 to 1200 0.004 to 47.2	0.1 to 1200 0.004 to 47.2	0.1 to 1200 0.004 to 47.2
<b>Speed accuracy</b>	±2% of indicated speed or ±20 µ/min, whichever is greater		
<b>Speed resolution</b> mm/min in/ min	0.1 0.004	0.1 0.004	0.1 0.004
<b>Maximum cycles per test</b>	9999		

ELECTRICAL SUPPLY			
	0.5 kN MODEL	1.0 kN MODEL	2.5 kN MODEL
<b>Voltage</b>	230 V AC 50 Hz / 110 V AC 60 Hz	230 V AC 50 Hz / 110 V AC 60 Hz	230 V AC 50 Hz / 110 V AC 60 Hz
<b>Power Requirements</b>	120 W	200 W	250 W

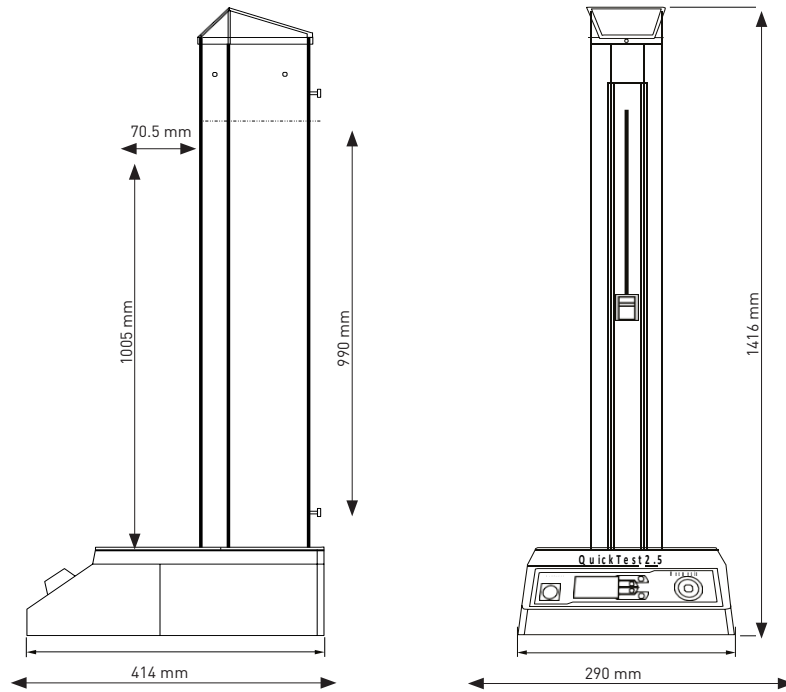
## DIMENSIONS & WEIGHT

	QuickTest - 2.5 kN Model	QuickTest - 1.0 kN Model	QuickTest - 0.5 kN Model
Height (mm)	941 mm	1416 mm	1616 mm
Width (mm)	290 mm	290 mm	290 mm
Weight (kg)	24 kg (53 lb)	25 kg (55 lb)	26 kg (57 lb)
Depth (mm)	414 mm	414 mm	414 mm
Throat Depth (mm)	70.5 mm	70.5 mm	70.5 mm
Crosshead Travel (mm)	507 mm	986 mm	1186 mm
Headroom (mm)	526 mm	1005 mm	1205 mm

### 2.5 kN Model



## 1.0 kN Model



## 0.5 kN Model

